

## OUR PRODUCTS

# Interactive Table



### Interactive Table

The interactive table developed by 235 MEDIA @evolution is an ideal medium for explaining complex topics to larger groups of visitors. The surface of the table works like an oversized touchscreen, with the desired information projected directly onto the table from above. The basic application on the interactive table is a menu selection system, which can be individually adapted to each new project. It can also be expanded by including games, videos and camera transmissions, or be used to control lighting, sound and video projections elsewhere in the room. Hence, the interactive table is a highly sophisticated system suited for presentation, entertainment and communication purposes.

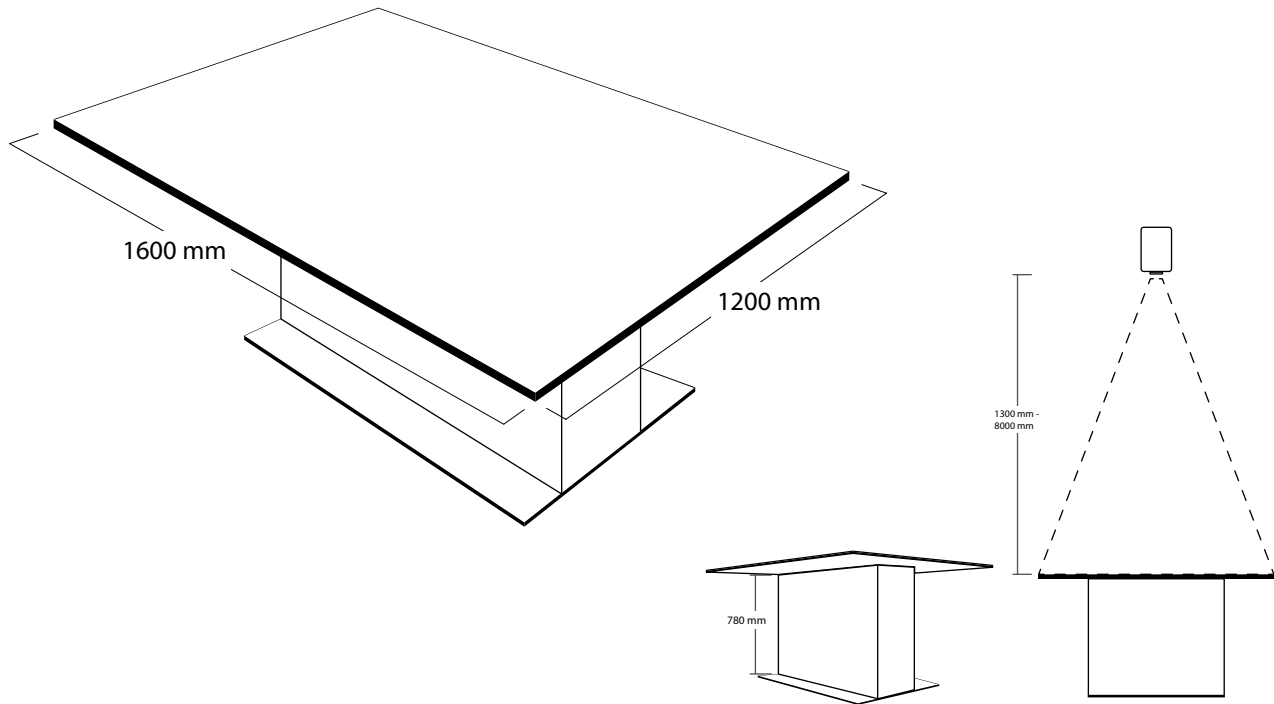
### Contact

235 MEDIA GmbH  
Am Kölner Brett 6  
50825 Cologne, Germany  
Fon: ++49.(0)221.546480  
Fax: ++49.(0)221.5464848  
[www.235media.com](http://www.235media.com)

email: [project@235media.com](mailto:project@235media.com)  
contact: Jens Weber

## OUR PRODUCTS

# Interactive Table



### features:

- › sensor system covering the entire surface, 1382x1050 mm (WxH)
- › different forms and sizes on request
- › Long product life as a result of a scratch resistant surface and sturdy construction

### optional:

- › wireless operation, transmitter and receiver, accumulator
- › mirrorprojection incl. mounting kit
- › uninterruptible power supply (UPS) for PC

### specifications:

- |                            |   |
|----------------------------|---|
| <b>table construction:</b> | › tabletop 1600x1200 mm (WxD), lamination white matt finish for projection (other finish and sizes on request ), base in MDF, lacquered in black matt, base plate in steel, 1000x800x5 mm, powder coated in RAL-colours |
| <b>projection:</b>         | › LCD-projector NEC NP4000, 5200 ANSI-Lumens, resolution 1024x768 pixel, lens 1,5-2,0:1, incl. mounting unit with fine adjustment (other projectors possible), 24/7 operation possible                                  |
| <b>source:</b>             | › PC, 19" cabinet   |